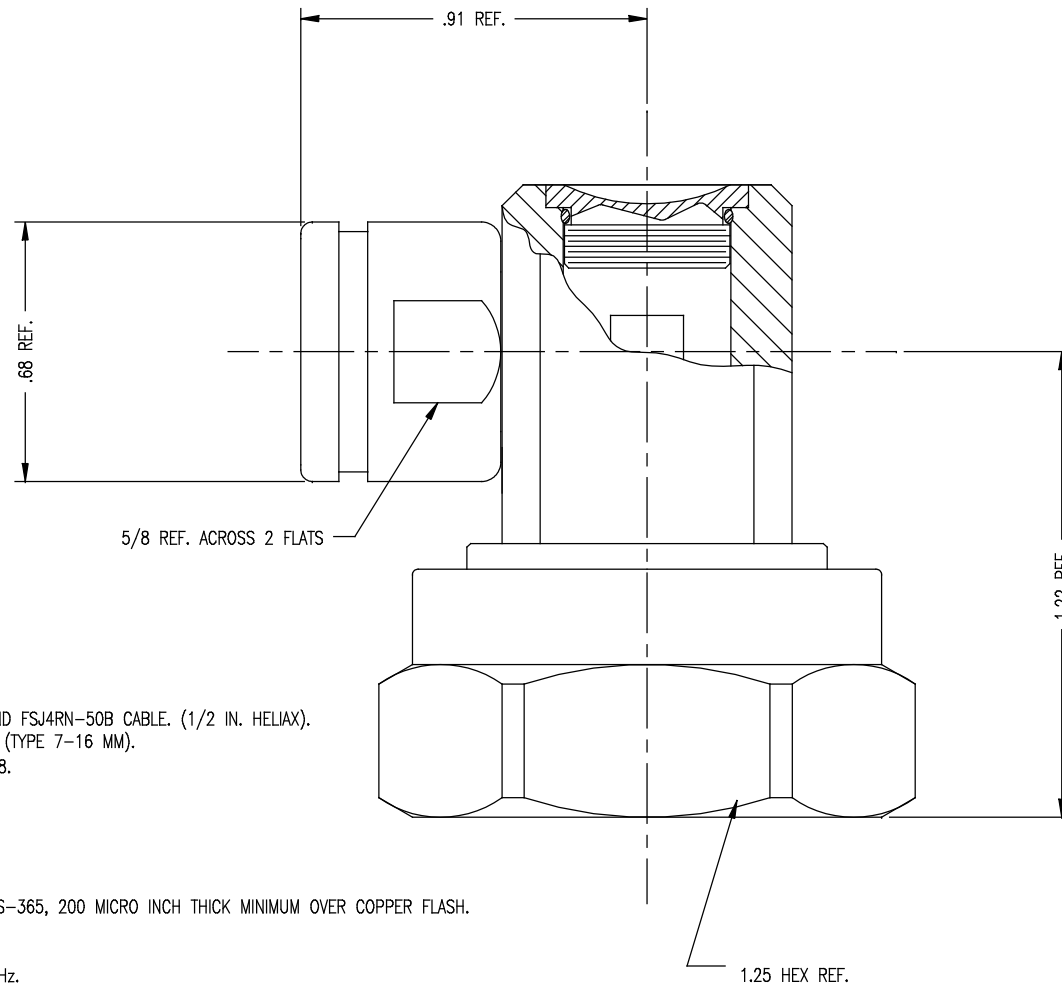


SD



## NOTES:

- FOR USE WITH ANDREWS FSJ4-50B AND FSJ4RN-50B CABLE. (1/2 IN. HELIAX).
- INTERFACE PER, IEC STANDARD 169-4 (TYPE 7-16 MM).
- FOR CABLING INSTRUCTIONS SEE 3-718.
- MATERIALS:  
O RINGS: SILICONE RUBBER.  
INSULATOR: TEFLON.  
ALL OTHER METAL PARTS: BRASS.
- FINISHES:  
METAL PARTS: SILVER PLATE PER QQ-S-365, 200 MICRO INCH THICK MINIMUM OVER COPPER FLASH.
- ELECTRICAL CHARACTERISTICS:  
NOMINAL IMPEDANCE: 50 OHMS.  
FREQUENCY RANGE: DC TO 6.0 GHz.  
OPERATING VOLTAGE: 2700 VRMS.

1.25 HEX REF.

SD

## REVISIONS

ISSUE	CHANGES
0	ER 38598 HVN 06/11/02
1	CN 38634 E TML 08/30/02

3156-5-5

3156-5-5S

SCALE 3:1

APPROX SURFACE AREA

WAS E-20026

USED ON

REF:

7-16, PL ANG.

DRAWN HVN DATE 04/11/02

DESIGN HVN DATE 04/11/02

APPR. DATE

**KINGS**  
ELECTRONICS CO., INC.  
ROCK HILL, SOUTH CAROLINA 29730

3156-5-5